

Bifacial Perc

JC(530-550)-144M-DGB8-H

Half-Cell High Efficiency PV Module

Max Module Efficiency: 21.3%

KEY FEATURES

- Excellent module efficiency up to:21.3%
- IP68 junction box for long-term weather endurance
- Heavy snow load up to 5400 Pa, wind load up to 3600 Pa
- PID: Selected material and stringent quality system ensure PID free
- Applicable to harsh environment of deserts, farmlands and seashores
- Much lower risk of hot spot

CERTIFICATE



COMPREHENSIVE

Products and System Certificates

IEC 61215 / IEC 61730 / CE / INMETRO

ISO 9001: 2015/Quality management system

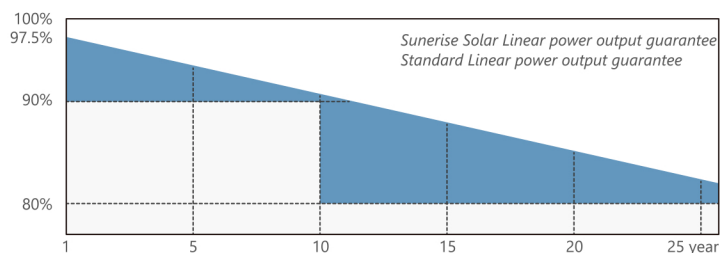
ISO 14001: 2015/Standards for environmental management system

OHSAS 18001: 2007/International standards for occupational health & safety

WARRANTY

30 years Linear power output warranty
 *12 years minimum 92% power output
 *30 years minimum 83% power output

12 years Product warranty on materials and workmanship
 According to the applicable Einnova Solarline Limited Warranty Statement



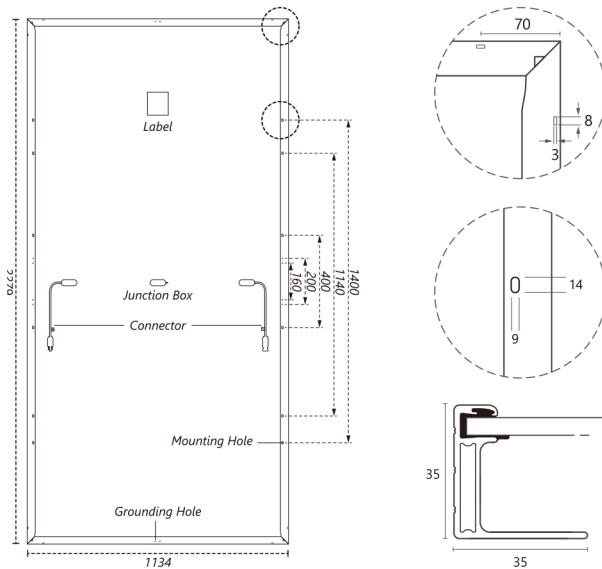
Anhui Sunerise Energy Co.,Ltd

ADD: Building No.1-4, Liandong U Valley, Shenzhen Road, Hefei, China

Tel: +86 551 63817818 E-mail: info@sunerise.com Website: www.sunerisepv.com

JC(530-550)-144M

DESIGN



MECHANICAL SPECIFICATION

Cell Type	Dimension (L×W×T)	Weight
Mono 182*91mm	2279×1134×35mm	32kg
Packing	31pcs/pallet, 620pcs/40HQ	
Cable (Including connector)	4.0mm ² , Portrait: 350mm(+)/350mm(-) Landscape: 1400mm(+)/1400mm(-)	
No. of Cells	144 (6×24)	
Glass	DUAL GLASS, 2.0mm coated tempered glass	
Junction box	IP68, 3 Bypass Diodes	
Connector	MC4 Compatible	

OPERATING PARAMETERS

Maximum system voltage	1500V DC
Operating Temperature	-40 ~ +85°C
Maximum series fuse rating	20A
Snow load, frontside	5400Pa
Wind load, backside	3600Pa
Nominal operating cell temperature	45°C±2°C
Application level	Class A

ELECTRICAL CHARACTERISTICS(STC)

MODULE TYPE	JC(530-550)-144M				
Maximum Power (Pmax)	530W	535W	540W	545W	550W
Open-circuit Voltage (Voc)	49.30	49.45V	49.60V	49.75V	49.90V
Maximum Power Voltage (Vmp)	41.31V	41.47V	41.64V	41.80V	41.96V
Short-circuit Current (Isc)	13.72A	13.79A	13.86A	13.93A	14.00A
Maximum Power Current (Imp)	12.83A	12.90A	12.97A	13.04A	13.11A
Module Efficiency (%)	20.5%	20.7%	20.9%	21.1%	21.3%
Power Tolerance	0~+5W				
Temperature Coefficient of Isc	0.05%/°C				
Temperature Coefficient of Voc	-0.31%/°C				
Temperature Coefficient of Pmax	-0.35%/°C				

Standard Test Environment : Irradiance 1000W/m², Cell temperature 25°C, Spectrum AM1.5

ELECTRICAL CHARACTERISTICS(NOCT)

MODULE TYPE	JC(530-550)-144M				
Maximum Power (Pmax)	401W	405W	408W	412W	416W
Open-circuit Voltage (Voc)	46.18V	46.31V	46.43V	46.55V	46.68V
Maximum Power Voltage (Vmp)	38.57V	38.78V	38.99V	39.20V	39.43V
Short-circuit Current (Isc)	11.01A	11.05A	11.09A	11.13A	11.17A
Maximum Power Current (Imp)	10.39A	10.43A	10.47A	10.51A	10.55A

Standard Test Environment : Irradiance 800W/m², Ambient temperature 20°C, Spectrum AM1.5, Wind speed 1m/s